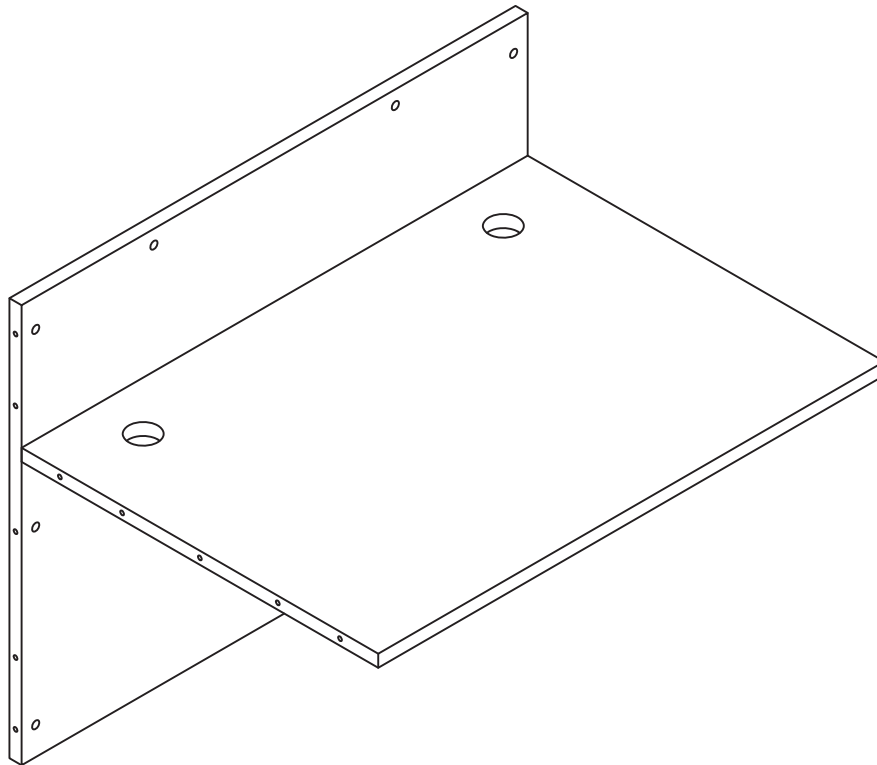


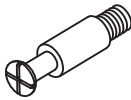
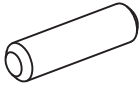



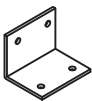







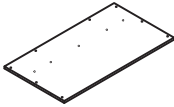
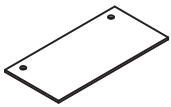
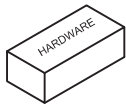
Mirella Series
Reception Desk Top and
Horizontal Grain Modesty Panel
Model No. MRRD48



For questions or concerns, please call 1-888-971-6225 available
Monday-Friday 7:30 AM to 5:00 PM (Central Time)
(English-speaking operators)

PARTS LIST

Name	Part	Qty.	Spare Qty
A	 Cam Post	17	1
B	 Wood Dowel	10	1
C	 Cam Lock	17	1
D	 Cam Sticker	17	1
E	 M4*16mm BLK	24	2
F	 50*30*2mm	6	
G	 Stand-off Ø20*76	2	

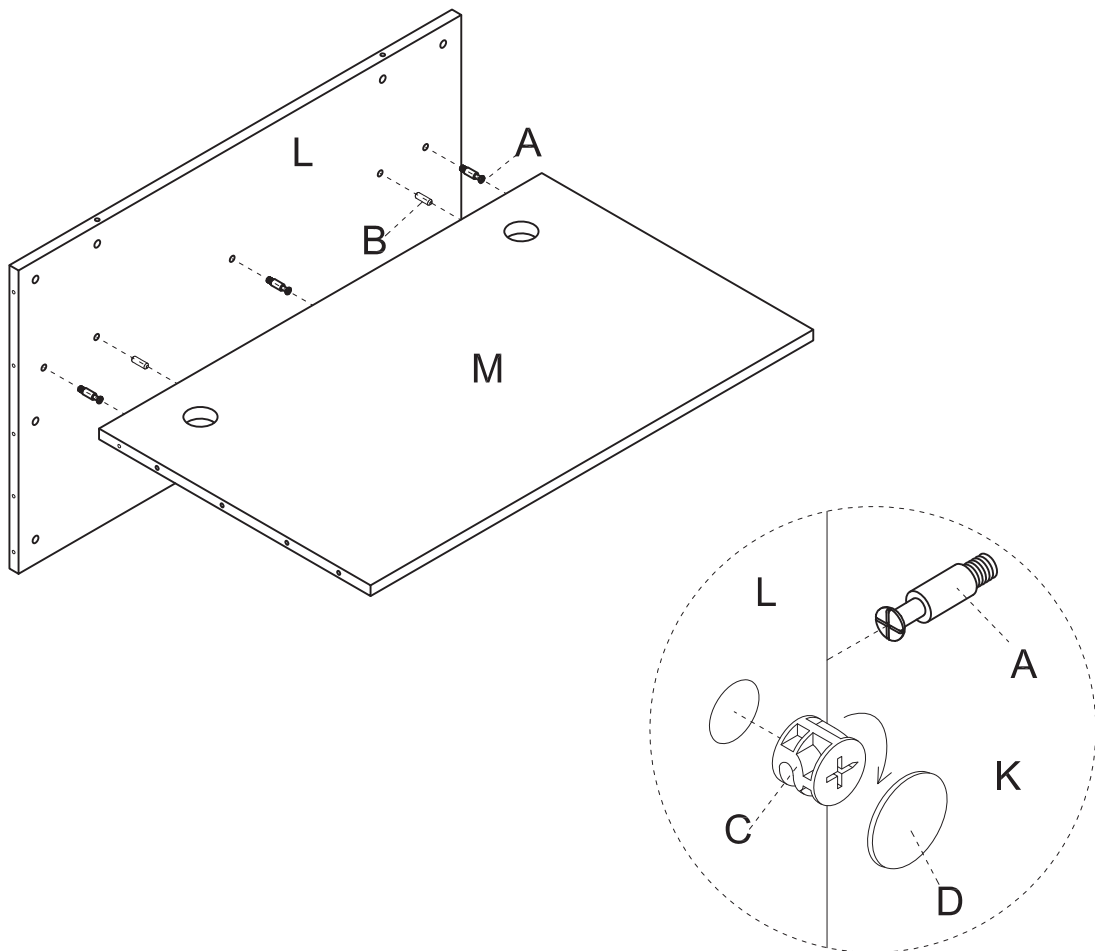
Name	Part	Qty.	Spare Qty
H	 M5*8mm	4	1
I	 30*30*16mm	4	
J	 M4*16mm SLV	4	1
K	 Grommet	2	
L	 Modesty Panel	1	
M	 Top Panel	1	
	 MRRDT48HB		

Items with HB are in hardware box.

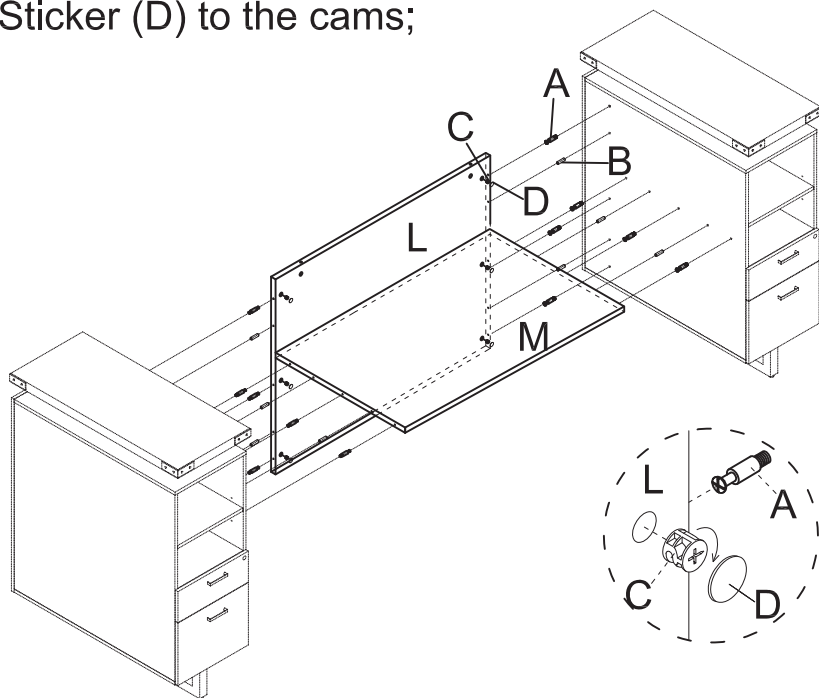
IMPORTANT!

Review ALL instructions before beginning assembly. These instructions are provided to avoid problems that may occur from improper assembly or installation. SAFCO and/or its distributor are not responsible for failure resulting from improper assembly or installation of this product. Moreover, all warranties are void for failure to follow these assembly instructions.

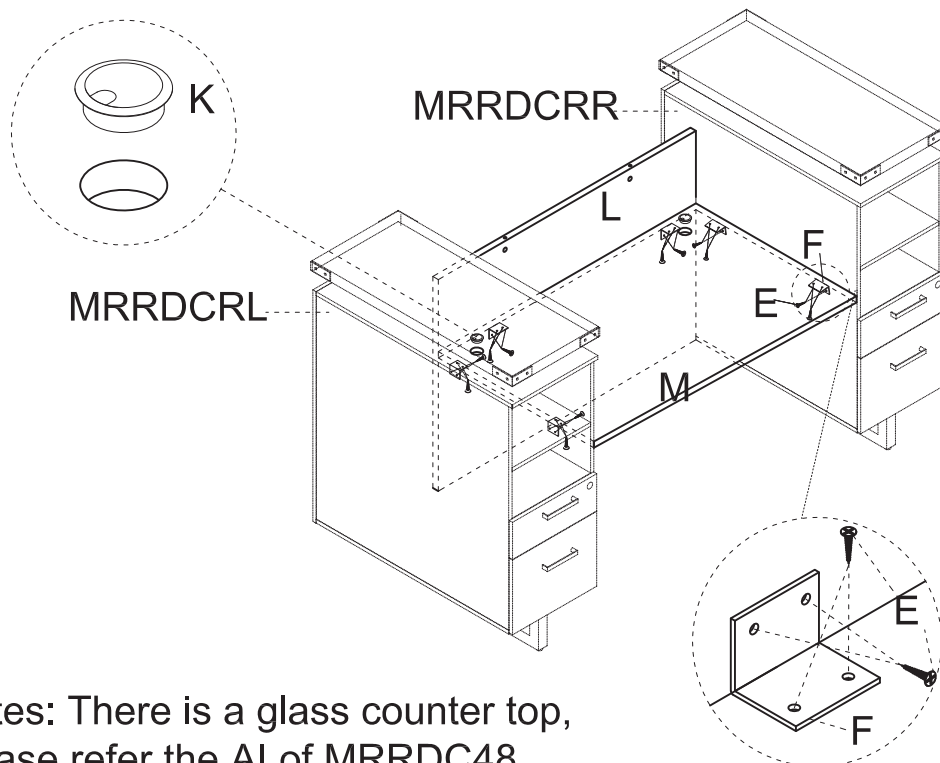
- 1 Insert the Wood Dowel (B) and Cam Post (A) to the Modesty Panel (L), Install the Cam Lock (C) on the Top Panel (M), Fasten the Cam Lock , Attach the Cam Sticker (D) to the cams;



- 2** Insert the Wood Dowel (B) and Cam Post (A) to the MRRDCRL and MRRDCRR, Install the Cam Lock (C) on the Modesty Panel (L) and Top Panel (M), Fasten the Cam Lock , Attach the Cam Sticker (D) to the cams;



- 3** Use Screws (E) and L Brackets (F) to connect MRRDCRL and MRRDCRR with Reception Top (M) & Modesty Panel (L); Put the Grommet (K) on the Top (M).



Notes: There is a glass counter top, please refer the AI of MRRDC48.